

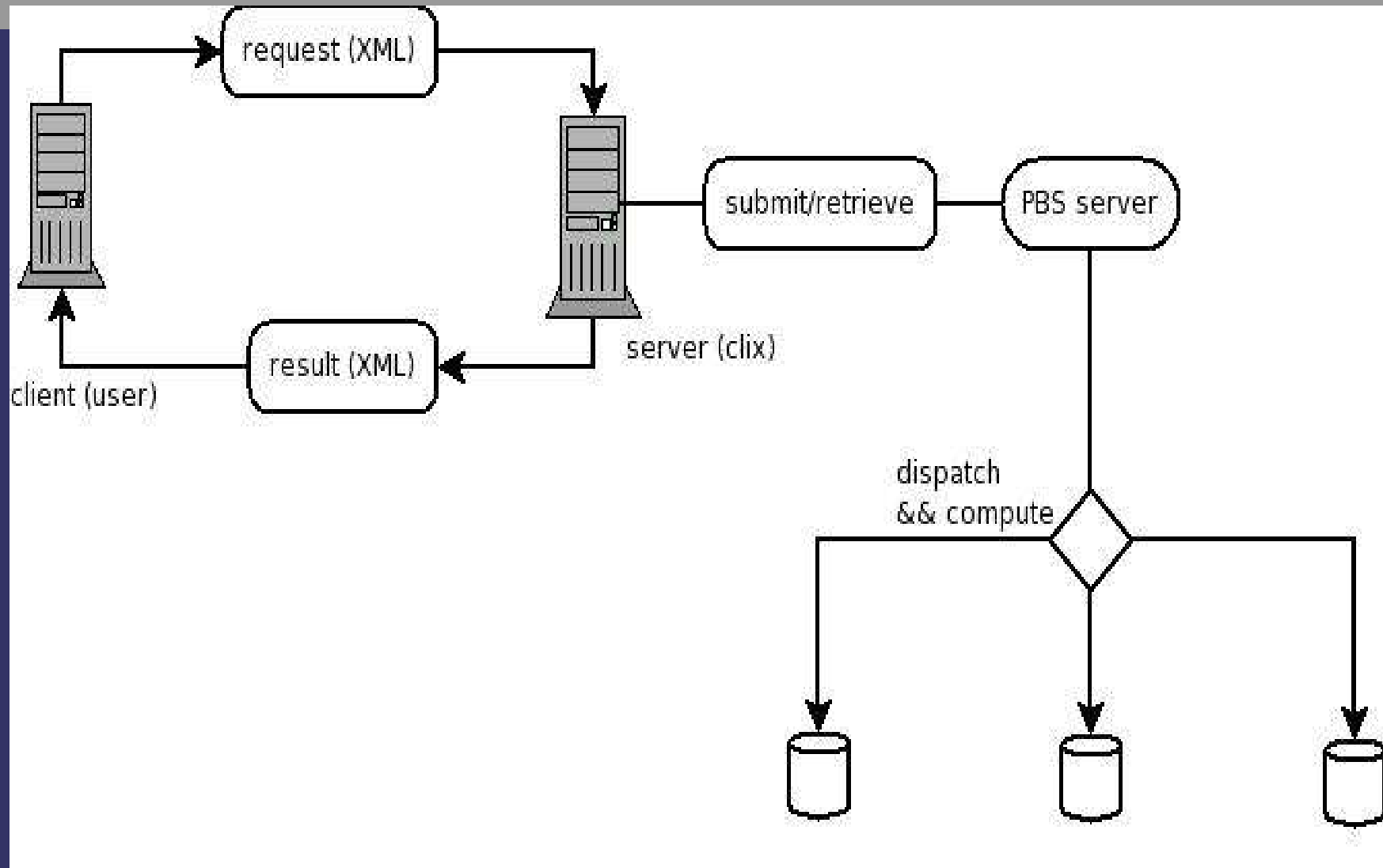
# ***Présentation***

- ⇒ L'utilité du Web Service de QF
- ⇒ Le fonctionnement du WS
- ⇒ Interface web WS pour la requête
- ⇒ Interface web WS pour le résultat
- ⇒ Utilisation du WS
- ⇒ Derrière le WS

# *QualityFits – Web Services*

- Soumettre un job à QF par l'intermédiaire d'une page WEB
- Soumettre un job à QF par l'intermédiaire d'un script par protocole TCP/IP (communication entre applications)
- Gestion des erreurs (plus simple techniquement)
- Utiliser le grid computing pour traiter les données

# ***Fonctionnement du WS***



# Requête par l'interface

The screenshot shows a Mozilla Firefox browser window titled "QualityFITS Web Service - Mozilla Firefox". The address bar contains the URL "http://clix2.iap.fr/QFWS/". The browser's menu bar includes "File", "Edit", "View", "Go", "Bookmarks", "Tools", and "Help". The toolbar shows navigation buttons (back, forward, home, stop) and a search bar with "pbs node" entered. The browser's tab bar shows several open tabs, including "SHOUTcast - HOME", "jcmalapert - Webmail Free", "A frog in Australia - SOA...", "PHP: Hypertext Preproce...", "QSO Data Browser", "Association du Master O...", "Quick Guide to Setting U...", and "QualityFITS Web Serv...".

The main content area of the browser displays the "QualityFITS Web Service" interface. At the top, there is a blue header with the text "QualityFITS Web Service". Below the header, there are two main sections:

- Input:** This section contains five input fields, each with a "Browse..." button next to it:
  - "your\_email:"
  - "your\_image:"
  - "your\_flat\_image:"
  - "your\_mask\_file:"
  - "your\_filter\_file:"A "submit" button is located at the bottom of this section.
- Check if result available:** This section contains one input field labeled "your\_runid:" and a "format:" section with three radio buttons: "ASCII" (selected), "VOTABLE", and "METADATA". A "check" button is located at the bottom of this section.

Below the input sections, there is a note: "The total file size should be less than 800MB or it will be rejected." At the bottom of the page, there are two logos: "W3C HTML 4.01" and "W3C CSS".

The browser's status bar at the bottom shows "Find: node" with options for "Find Next", "Find Previous", "Highlight", and "Match case". The status bar also displays "Done".

# Résultat de l'interface

Wide field diagnostic on infVlitP1h - Mozilla Firefox

File Edit View Go Bookmarks Tools Help

http://clix2.iap.fr/QFWS/014e61e00b8eafd4c2ceabccce76d13d5/

Getting Started Latest Headlines

Disable CSS Forms Images Information Miscellaneous Outline Resize Tools View Source Options

SHOUTcast - HOME jcmalaper - Webmail Free A frog in Australia - SOA... PHP: Hypertext Preproce... QSO Data Browser Association du Master O... Quick Guide to Setting U... Wide field diagnostic...

**TERAPIX** ASTROWISE **QUALITY FITS**

## Evaluation of infVlitP1h


Keyword	Value
DATE	11-Aug-2005

Keyword	Value
---------	-------

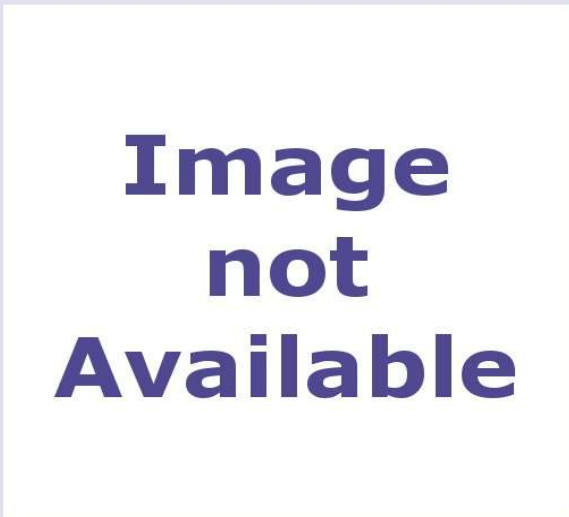
raw image weight map  
background PSF map  
Galaxy counts histogram Galaxy selection Rh-mag  
Star counts histogram Star selection Rh-mag  
PSF orientation and ellipticity map  
Rh-mag diagram

Summary table [csv]

Processed on 11-08-2005 16:04:35 by pipeline with qualityFITS v.1.11.1 in 63 s  
send bug reports to magnard@iap.fr



Raw mosaic image



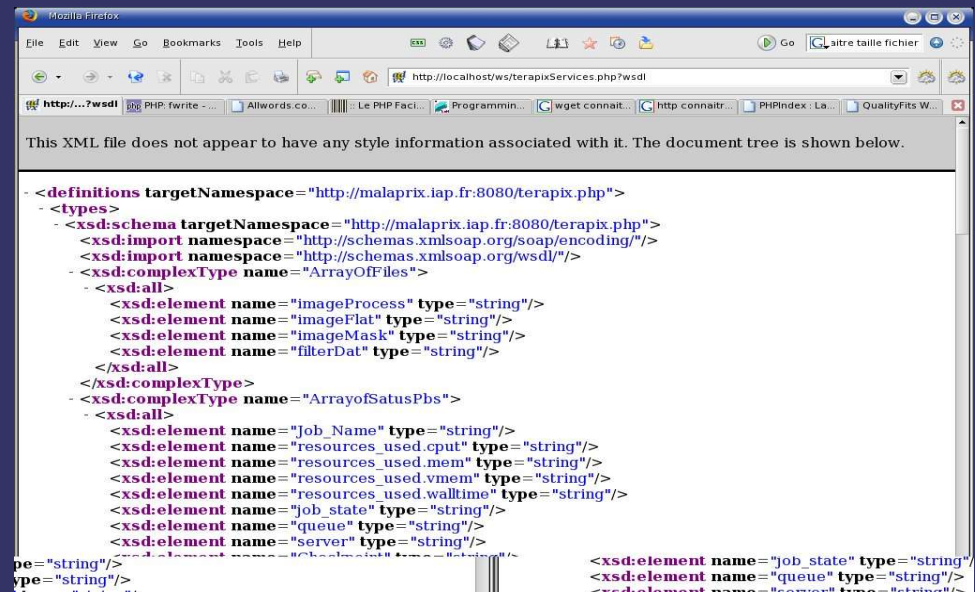
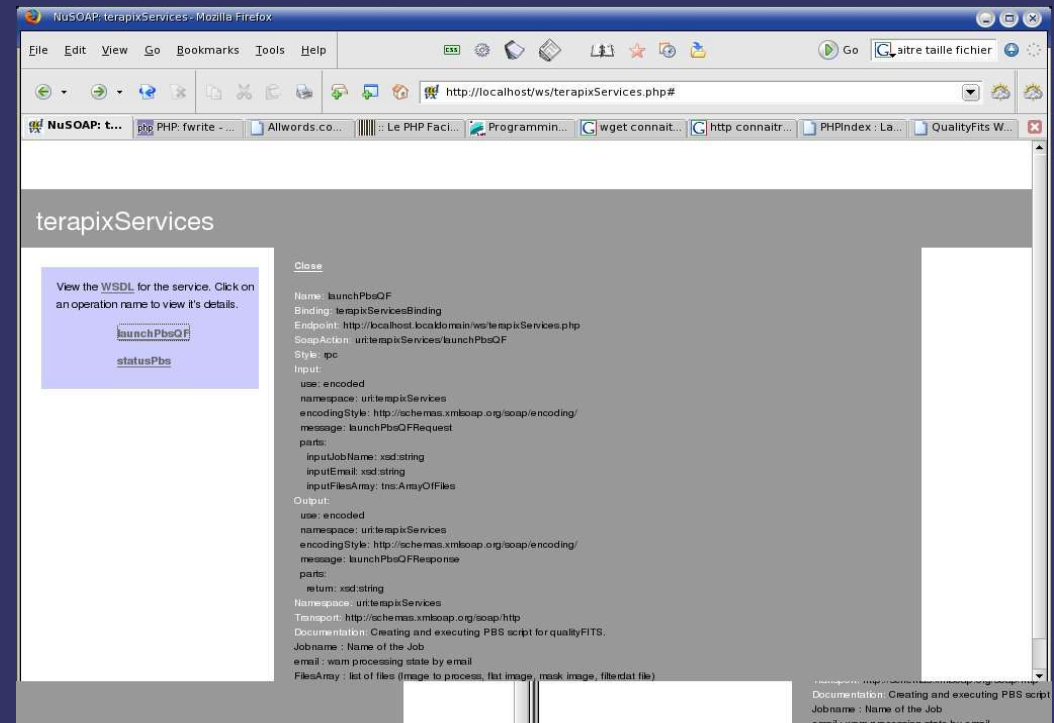
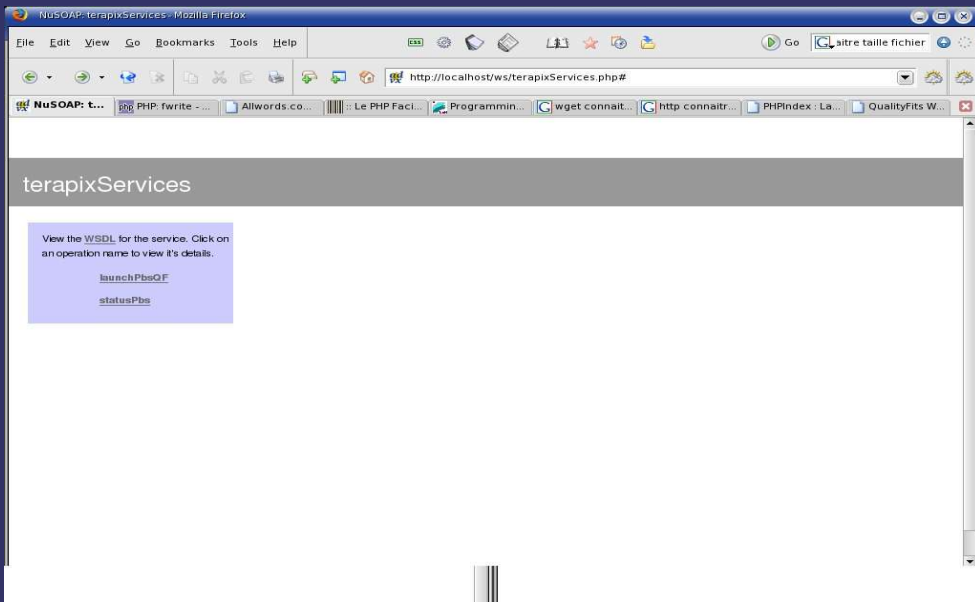
Mosaic of weightmap

Note to Internet Explorer users: IE is unable to render properly the transparency in PNG images. Prefer mozilla. Cf. test.

Find: node Find Next Find Previous Highlight Match case

Done

# Description du Web Services



# OpenPBS (grid computing)

## Exemple de Script PBS :

```
#!/bin/sh
#PBS -N JobQF
#PBS -o $sessionid.log
#PBS -e $sessionid.err
#PBS -q long
#PBS -M $email
#PBS -m bae
#PBS -l nodes=1:ppn=2:Athlon
#PBS -W stagein=/raid/jc/$1@clix.clic.iap.fr:$key
echo '<Job ID=$sessionid>'
echo '  <InfUser>'
echo '    <ClientIP>$IP</ClientIP>'
echo '    <Email>$email</Email>'
echo '  </InfUser>'
echo '  <InfNode>'
echo '    <Hostname>`hostname`</Hostname>'
echo '  </InfNode>'
echo '  <InfPBS>'
echo '    <JobName>$sessionid</JobName>'
echo '  <QueueName>long</QueueName>'
echo '    <Ressources>nodes=1:ppn=2:Athlon</Ressources>'
echo '  </InfPBS>'
cd /home/nis/pipeline/jc/pbs/tmp/
echo '  <InfProcess name="QualityFITS">'
echo '    <StartDate>`date`</StartDate>`\n";
echo '    <CommandLine>$cmd</CommandLine>'
/usr/local/bin/qualityFITS ..... status=$?
echo '    <Status>'$status'</Status>'
echo '    <EndDate>`date`</EndDate>'
echo '  </InfProcess>'
echo '</Job>'
```

# ***Développement restant***

- ⇒ Finir l'écriture des 2 fonctions du WS
- ⇒ Réaliser un client (sans interface web) pour les tests
- ⇒ Reprendre l'interface du CGI et la convertir pour utiliser les WS